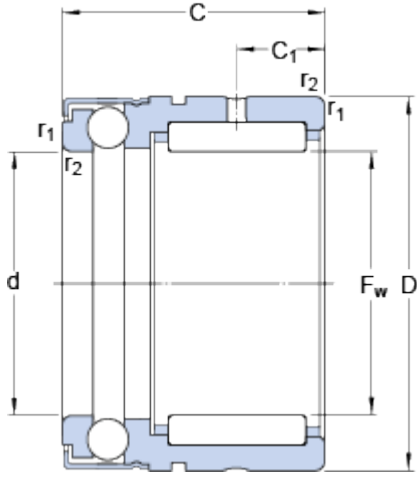


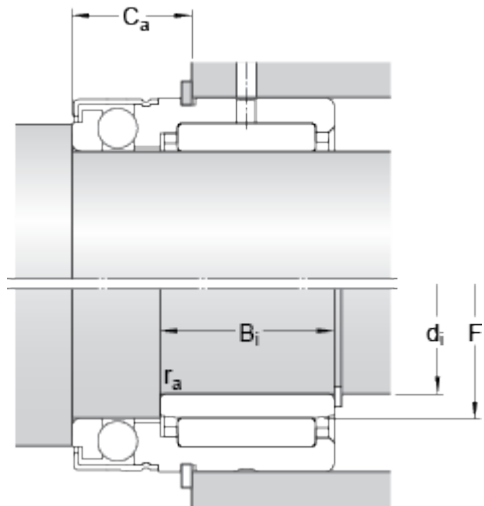
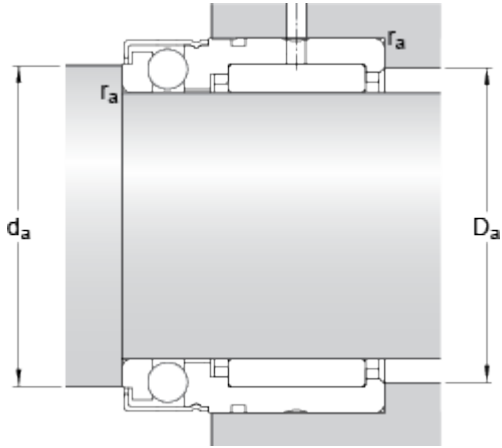
NX 20 Z

Dimensions



F_w		20	mm
D		30	mm
C		28	mm
C_1		8	mm
d		20	mm
$r_{1,2}$	min.	0.3	mm

Abutment dimensions



d_a	min.	25	mm
D_a	max.	28	mm
C_a		12.2	mm
r_a	max.	0.3	mm
d_i		17	mm
F		20	mm
B_i		16	mm

Calculation data

Basic dynamic load rating, radial direction	C	13.2	kN
Basic static load rating, radial direction	C_0	19.3	kN
Basic dynamic load rating, axial direction	C	7.8	kN

Basic static load rating, axial direction	C_0	17.3	kN
Fatigue load limit, radial direction	P_u	2.3	kN
Fatigue load limit, axial direction	P_u	0.64	kN
Minimum axial load factor	A	1.6	
Reference speed		6300	r/min
Limiting speed		4500	r/min

Mass

Mass bearing		0.068	kg
--------------	--	-------	----

Appropriate products

Inner ring		IR 17x20x16
Snap ring		SW 30